



HS-A01

Encoder Module



Feature

- TTL 3.3V or 5V CMOS Compatible
- Digital Output, No Signal Adjustment Required
- Low Cost
- Easy Mounting
- Two Channel Output

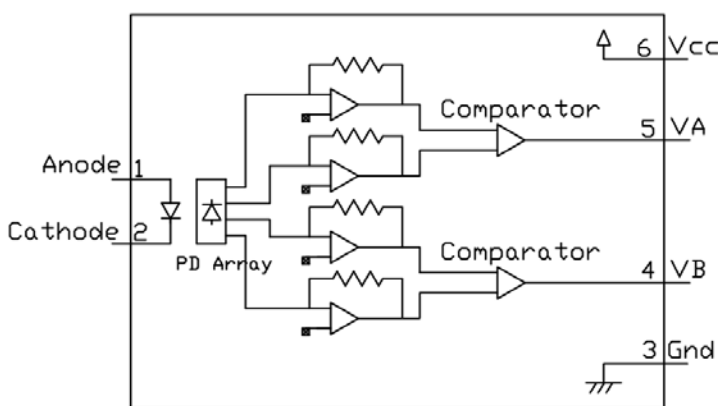
Absolute Maximum Ratings

Storage Temp.	-10 ~ +85°C
Operating /Temp.	-10 ~ +70°C
Supply Voltage	-0.5 ~ 7V
Output Voltage	-0.5 ~ Vcc
Output Current per Channel	-1.0 ~ 4 mA
Response Frequency	30 KHz

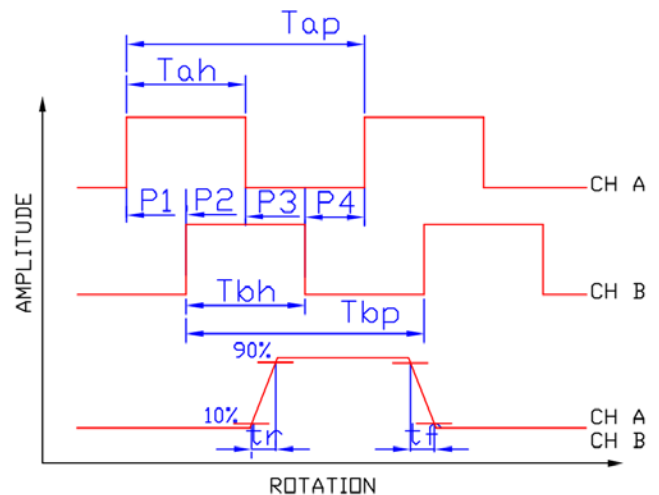
Resolution

20, 50, 150, 180, 200, 300 LPI

Block Diagram



Output Waveform



Ordering Information

HS - A01 Option

Resolution (LPI)

 Z:20, S:50, P:150, Q:180, R:200, N:300

Shaft Diameter ^φ

 02:3mm, 04:8/32in, 05:3/16in, 06:1/4in, 11:4mm
 12:6mm, 13:8mm, 14:5mm^φ



HS-A01

Encoder Module

Package Dimension (Unit: mm)

