



HS302C

Encoder Module



Feature

- Dustproof
- Two Channel Quadrature Output with Index Pulse
- Low Cost
- Easy to Mount
- No Signal Adjustment required
- Small Size
- TTL Compatible
- Single 5V Supply

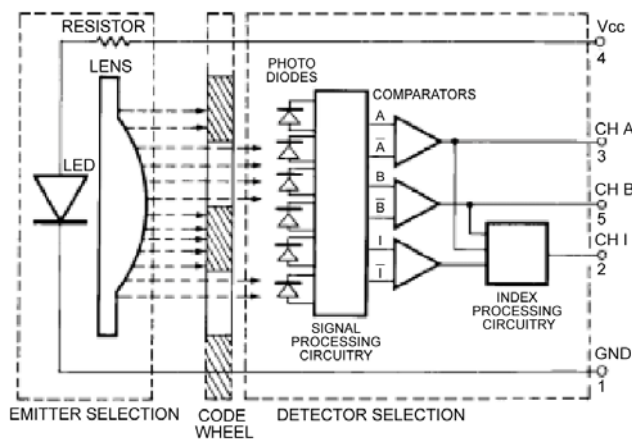
Absolute Maximum Ratings

Operating / Storage Temp.	-40°C ~ +85°C
Supply Voltage	4.5 ~ 5.5V
Output Voltage	VoH: $V_{cc} - 0.7V$, VoL: 0.4V
Output Current per Channel	5mA
Response Frequency	100 KHz

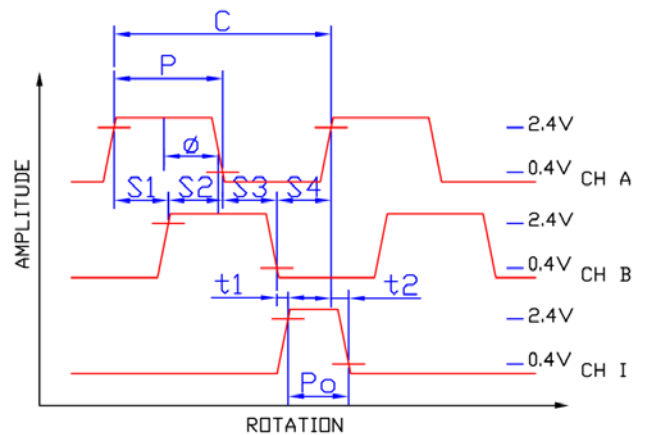
Resolution

50, 96, 100, 200, 256, 360, 400, 500, 512, 1000, 1024 CPR

Block Diagram



Output Waveform





HS302C

Encoder Module

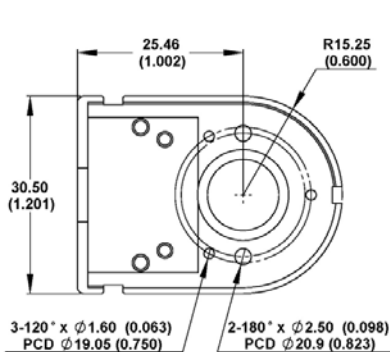
Ordering Information

HS302C - P -

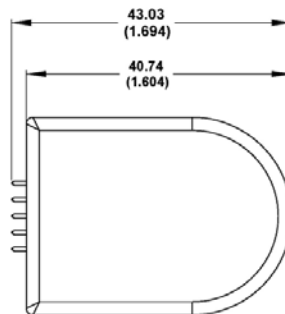
<u>Resolution</u>	<u>Shaft Diameter</u>	<u>Hub</u>
50: 50 CPR	3: 3mm	A: aluminum
100: 100 CPR	4: 4mm	P: plastic
200: 200 CPR	5: 5mm	(push-on-hub)
256: 256 CPR	6: 6mm	
360: 360 CPR	6.35: 6.35mm (1/4")	
400: 400 CPR	8: 8mm	
500: 500 CPR		
512: 512 CPR		
1000: 1000 CPR		
1024: 1024 CPR		

Mechanical Specification

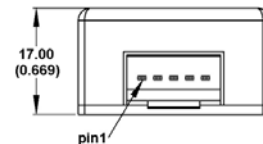
Package Dimensions



Top View (base plate only)



Top View



Side View

Note: Dimensions in millimeters (inches)

PinOut

Pin	Color	Description
1	black	Ground
2	yellow	Index
3	white	Channel A
4	red	DC +5V
5	green	Channel B

